

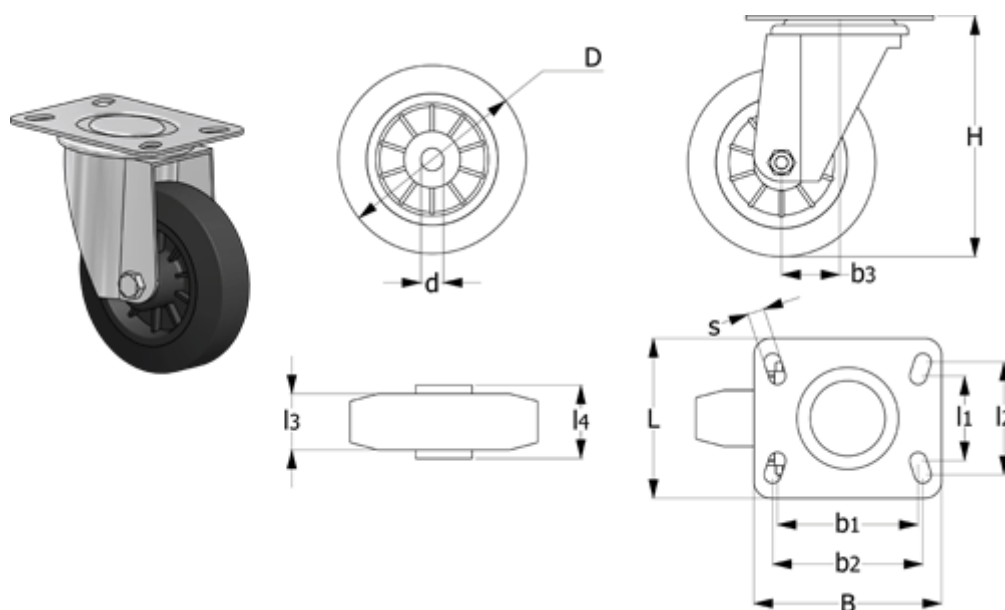
# Data Sheet



Article number: 2314449561

Description: E+G rubber wheel 449561  
RE.E2-125-SBL turning plate u/bremse

## Measures



B	= 100	g	= 1060	s	= 9
b1	= 75	H	= 156	Type = RE.E2-125-SBL	
b2	= 80	L	= 85		
b3	= 37	l1	= 45		
Code	= 449561	l2	= 60		
D	= 125	l3	= 37,5		
d	= 15	l4	= 44		
Dynamic load (N)	= 1100	Rolling resistance (N)	= 850		